

# POWER UNIT

## HP 50-F POWER UNIT

A High Load HP Power Unit that supplies the energy to run the latest high performance static eliminators from Fraser. They offer many advantages for the international manufacturer.

The HP50-F produces high voltage, low current in a controlled and safe way to provide the power for Fraser AC High Performance static eliminators working on 5.5 kV - 6 kV.

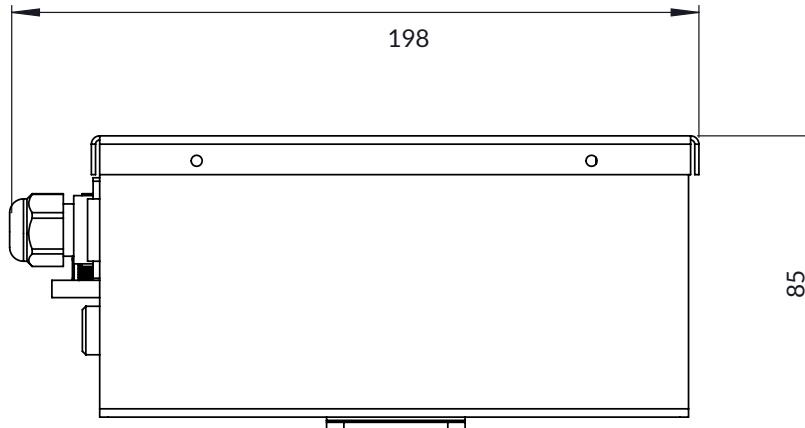
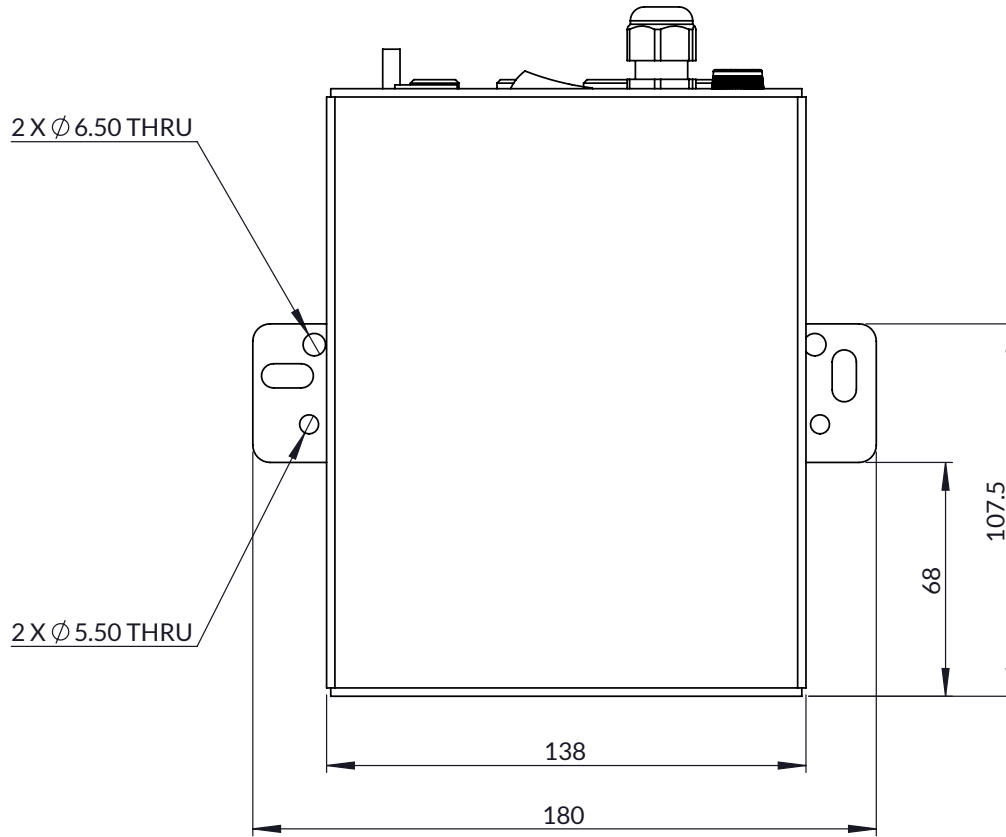
- > It has bayonet connectors for fast and easy connection of the static eliminators. The HP50-F can power up to four static eliminators.
- > Remote monitor options to link with customer's PLC, showing whether static eliminators are working and also if they require cleaning.
- > Construction IP54 rated.
- > All the controls and cables are on one face.



### Specification

<b>Construction:</b>	Powder coated steel case. Transformer with fully encapsulated windings.
<b>Input:</b>	115 V or 230 V, 50/60 Hz. Please specify frequency (Hz) as well as input voltage. 3 m mains cable is supplied (longer can be specified)
<b>Output:</b>	6 kV with maximum peak voltage of 7.76 kV. Secondary current limited to 5 mA.
<b>Maximum Load:</b>	30 m of combined Bar and HT cable.
<b>Environment:</b>	50° maximum temperature. 70% rH non-condensing max. Location should be dry and oil free.
<b>Safety:</b>	The design is current limited to 5 mA. If more than 5 mA current is drawn the transformer is designed to shut down. Power will restart when the excessive load or fault is removed.
<b>Options:</b>	Remote monitoring to show status of high voltage and Bars/ Electrodes.

Dimensions:



HP50\_F\_DS\_iss3